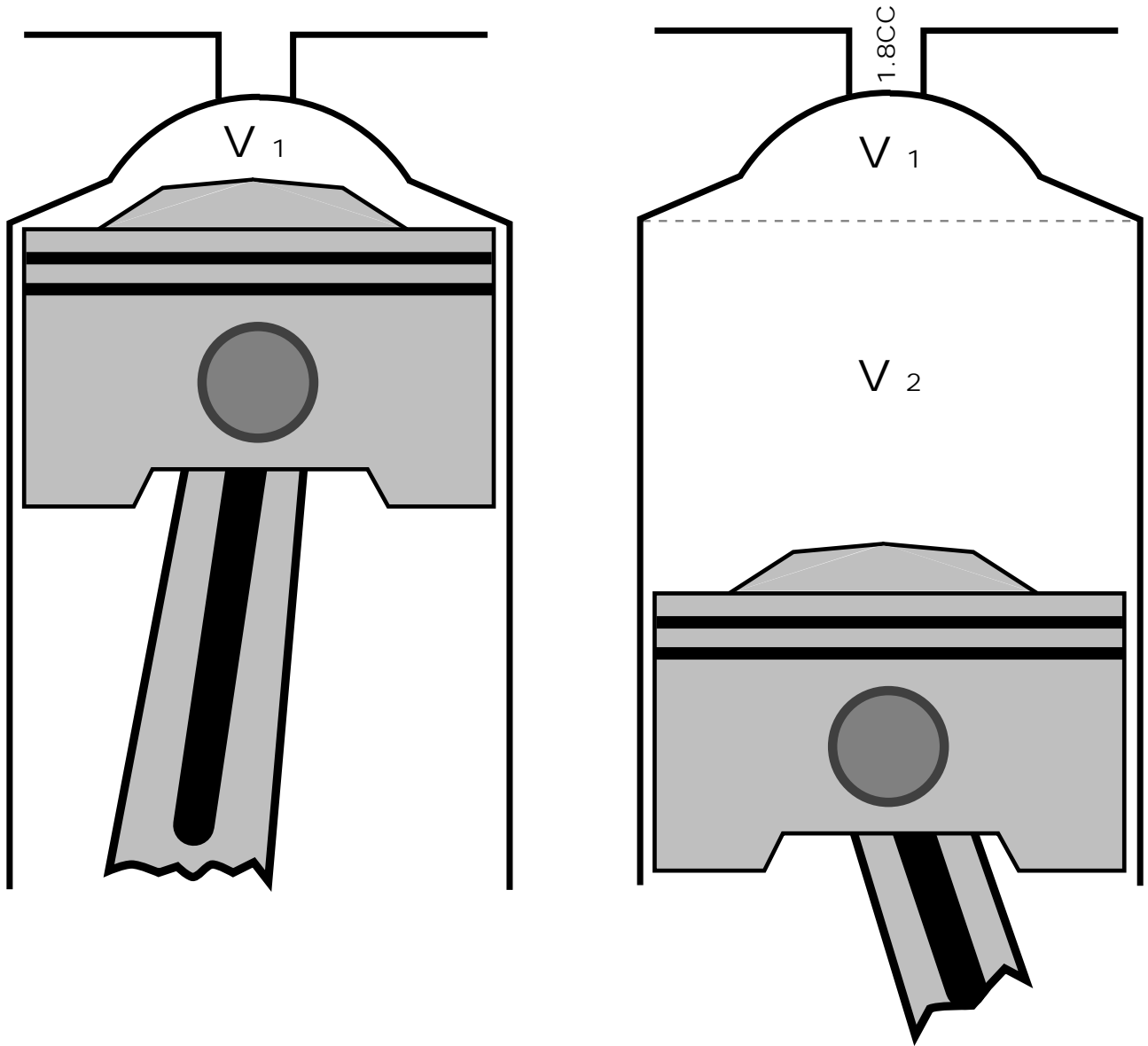


# TECH BULLETIN

**KLOTZ**

*Compression Ratio Calculation*



$V_2 = \text{CYLINDER VOLUME} + \text{HEAD VOLUME (V}_1) - 1.8\text{CC}^*$

$$\text{COMPRESSION RATIO} = \frac{V_2}{V_1} = \frac{\text{CYLINDER VOLUME} + \text{HEAD VOLUME} - 1.8\text{CC}^*}{\text{HEAD VOLUME} - 1.8\text{CC}}$$

\* NORMAL SPARKPLUG THREAD VOLUME = 1.8CC